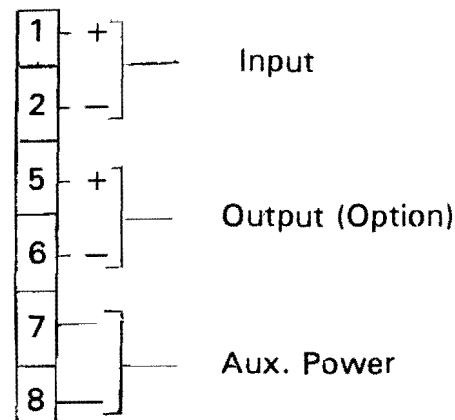


**SPECIFICATIONS**

1. INPUT: 0 TO  $\pm 1$ mADC into 200 Ohms.
2. TOP INDICATION: 0 TO  $\pm 200/1999$  (adjustable).
3. ACCURACY:  $\pm .1\% \pm 1$  DIGIT.
4. CONVERSION RATE: 1/SECOND.
7. DISPLAYS: .6" LED.
8. CALIBRATION: REMOVE FRONT PLATE.
9. DECIMAL POINTS: REMOVE FRONT PLATE.
10. AUX. POWER: 120V  $\pm 10\%$  @55-65Hz or 125VDC  $\pm 10\%$ , 5VA

11. OPTIONS:

- 25-450X has dummy right hand zero indicating up to 19990.
- 25-450A has 4½ digits indicating up to 19999.
- 25-450 I01 has output of  $0 \pm 1$ mADC into 0-10K
- 25-450 I128 has output of  $12 \pm 8$ mADC into 0-500  $\Omega$ .
- 25-450 I420 has output of 4-20mADC into 0-500  $\Omega$
- 25-450-48V has 48V  $\pm 15\%$  AC/DC Aux. power.
- 25-450-24V has 24V  $\pm 15\%$  AC/DC Aux. power.
- 25-450FU has conversion rate of 3/second.



<h1>Arga Controls</h1>		Pasadena, California 91105
<h2>DIGITAL AMMETER, DC TRANSDUCER RATED</h2>		
SIZE	MFG. CODE IDENT. NO.	<b>25-450*</b>
<b>A</b>	<b>50290</b>	
SCALE		SHEET 1 of 1