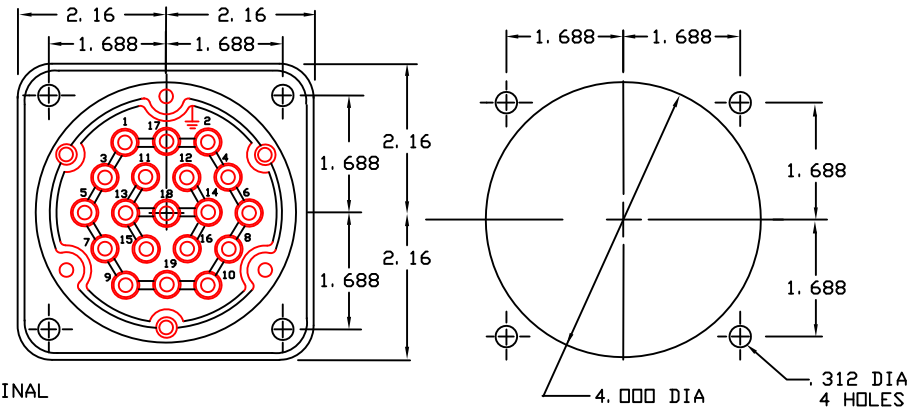
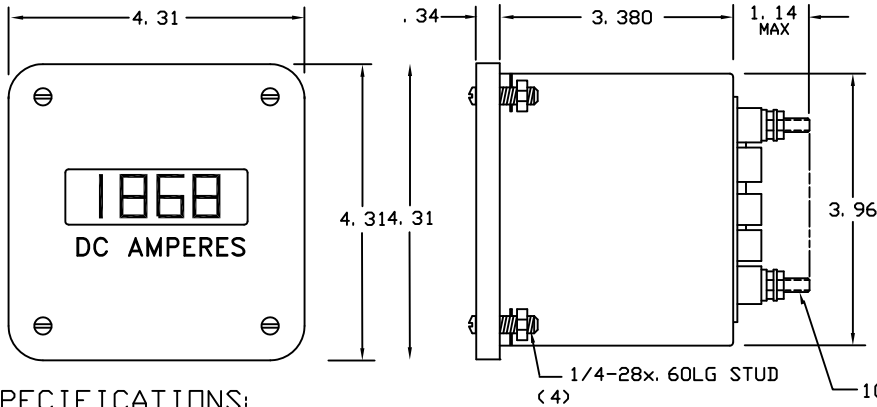


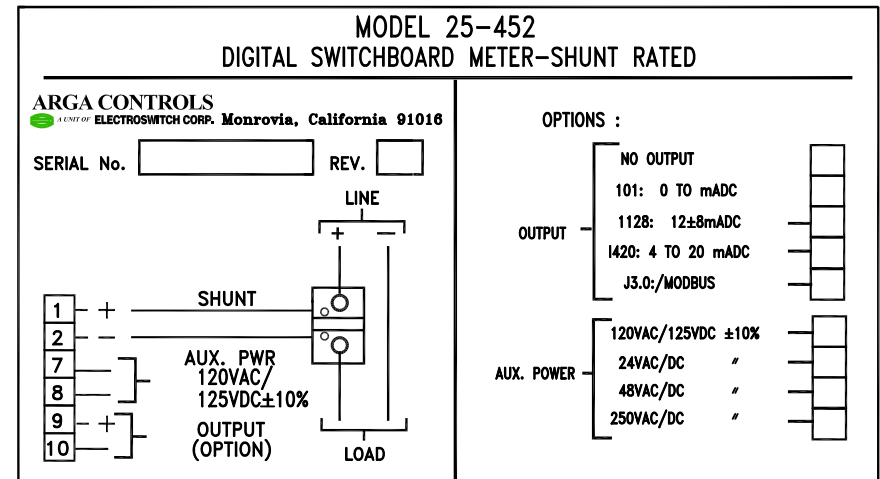
REVISIONS			
LTR	DESCRIPTION	DATE	APPROVED
A	REVISED NAMEPLATE CONNECTIONS	5 OCT 89	H. G.
B	UPDATE NEW ARGAs CONTROLS LOGO	27 SEP 12	VVN/D. J.



**SPECIFICATIONS:**

- INPUT:** 0 TO ±50mVDC (FROM SHUNT)
- BURDEN:** 1.0 uA MAX.
- DISPLAY:** .6" BRIGHT RED LED, ADJUSTABLE ±200 TO ±1999, PLUS DECIMAL POINTS,
- CALIBRATION:** REMOVE FRONT PANEL,
- ACCURACY:** ± .2%, READING ±1 LSD,
- CONVERSION RATE:** 1/SEC.
- CAPTION:** PER PURCHASE ORDER.
- INPUT OPTIONS:** FOR OTHER SHUNT RATINGS AND DASH NO., I, E: 25-452-100mV IS RATED FOR A 100mV SHUNT
- OUTPUT OPTIONS:**
  - 25-452: NO OUTPUT
  - 25-452-I01: ±1mADC INTO 0 TO 10K LOAD.
  - 25-452-I128: 12 ±8mADC INTO 0 TO 500 OHM LOAD.
  - 25-452-I420: 4 TO ±20mADC INTO 0 TO 500 OHM LOAD.
  - 25-452-J3.0: J3.0/MOD BUS, OUTPUT IS 0 TO ±2000 ON CHANNEL 0,
- AUX POWER OPTIONS:**
  - 25-452: HAS 120VAC/125VDC ±10% POWER, 55-65Hz.
  - 25-452-24: HAS 24V " " " "
  - 25-452-48: HAS 48V " " " "
  - 25-452-250: HAS 250V " " " "

**11. CONNECTIONS:**



**ARGA CONTROLS**  
A UNIT OF ELECTROSWITCH CORP. Monrovia, California 91016

**DIGITAL SWITCHBOARD METER  
SHUNT RATED**

SIZE <b>A</b>	FSCM NO. <b>50290</b>	DWG NO. <b>25-452-*</b>	REV. <b>B</b>
DATE: 5OCT89		SHEET 1	