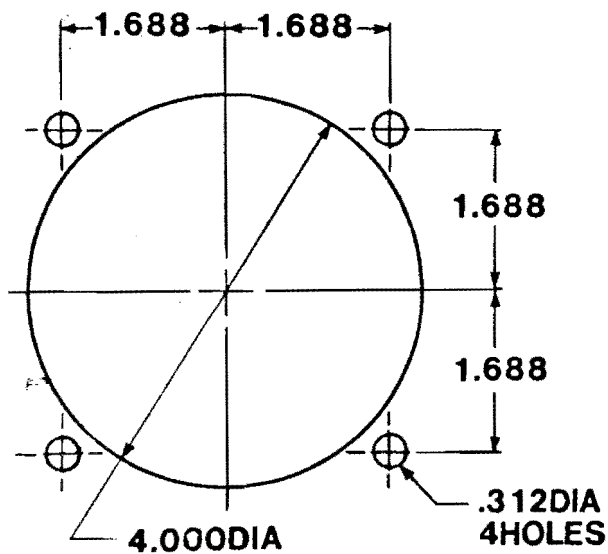
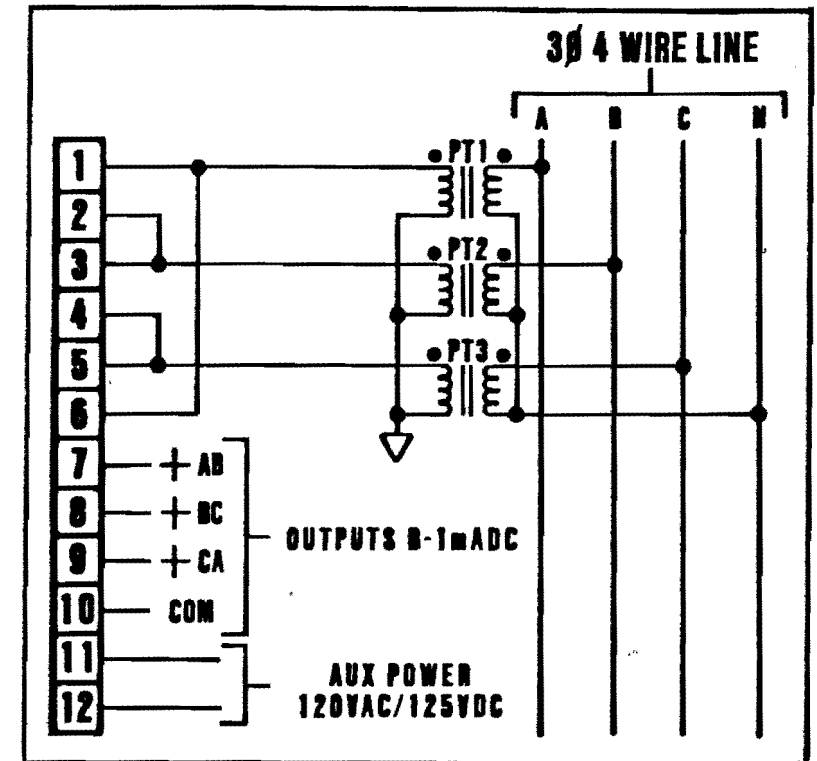
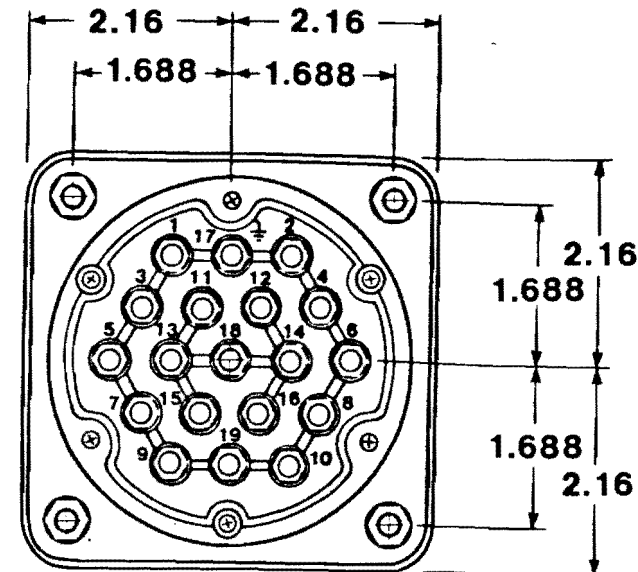
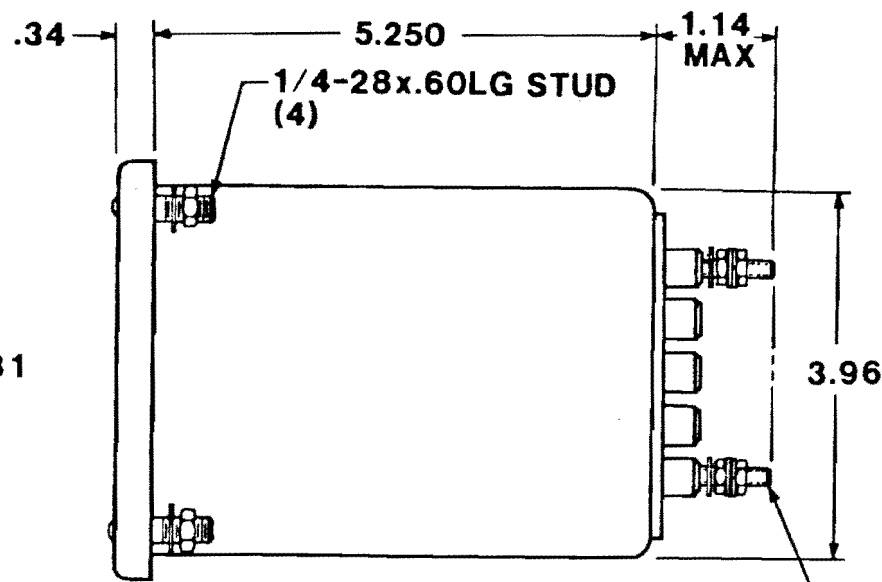
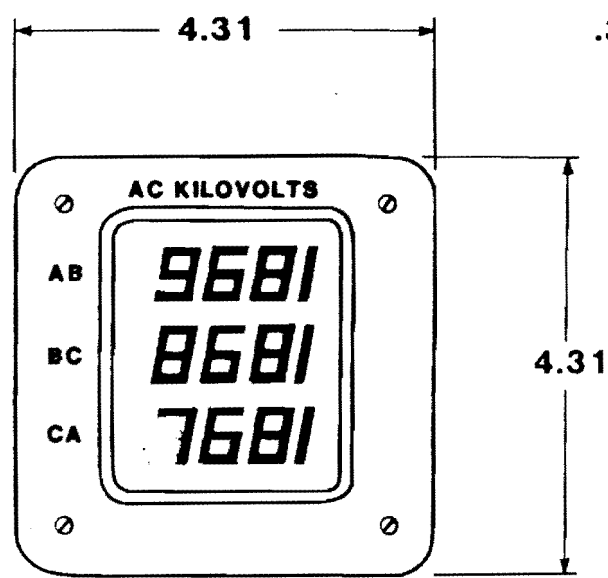


REVISIONS				
ZONE	LTR	DESCRIPTION	DATE	APPROVED
	A	ADDED OPTIONS (LINE 12)	6-22-99	L.J.F.



PANEL CUTOUT

SPECIFICATIONS:

1. INPUTS: 0 to 150V (3 each), (200V continuous overload).
2. OUTPUTS: 0 to 1mADC (3 each) into 0 to 10K.
Each zero & 1mA are front adjustable with power on & are Non-Volatile.
3. FREQUENCY: 60 ± 5Hz.
4. BURDEN: 1 VA (each input).
5. AUXILIARY POWER: 120V ± 10% @55-65Hz, or 125VDC ± 10%, 5VA.
6. INDICATION: Front adjustable from 0 to 1000 to 0 to 9999 (with decimal point) with power on and are Non-Volatile.
7. DISPLAY: .6" Red LED, 4 digits, 7-bar with decimal points.
8. ACCURACY: ±.2% of full range up to 180V, RMS sensing.
9. RESPONSE TIME: 400 mS max to 99% of final value (outputs).
10. HIPOT: 1500VAC
11. OPERATING AND STORAGE TEMP: -20 to 70°C.
12. OPTIONS:

- 25-240A - * has 0 to 300V inputs.
- 25-240* - 48 has 48VDC AUX POWER.
- 25-240* - 250 has 250VDC AUX POWER.

CONTR. NO.		Arga Controls Pasadena, California 91105	
DRAWN	CHECK		
APPROVED	BAUG 94	TRIPLE AC VOLTMETER/TRANSDUCER TRIPLE DISPLAY - RMS SENSING	
SIZE	MFG. CODE IDENT. NO.	25-240	
B	50290		
SCALE	SHEET		1 of 1