

Series 24 Lighted Nameplates

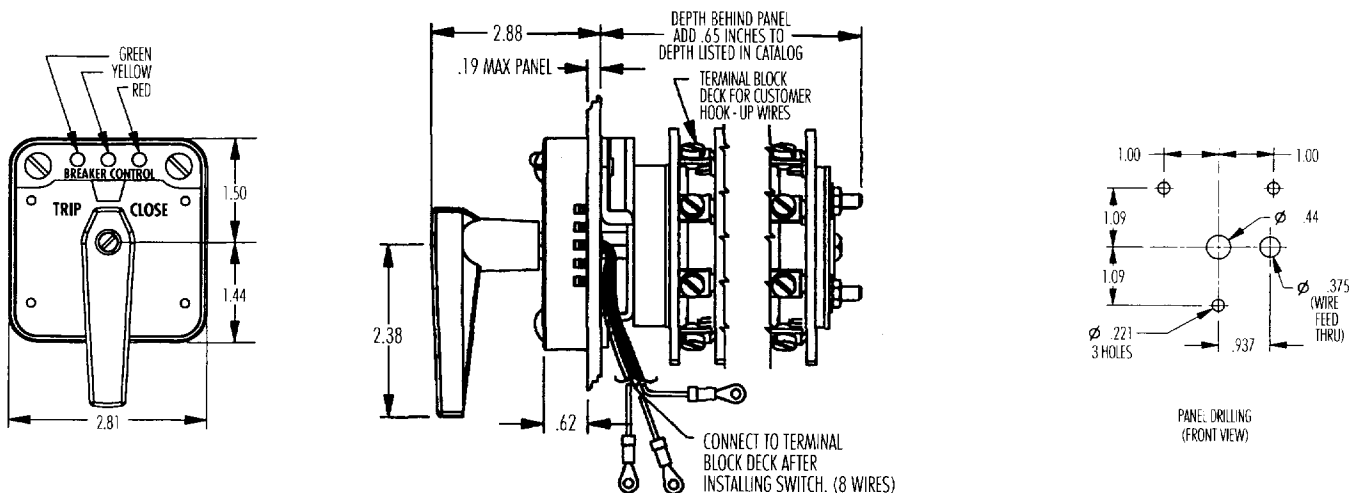
The Series 24 family of Manual and Remotely Operated Switches are Now Available with Built-In, Cost-Effective, Long-Life LED Indicators. The Series 24 Switch, the Utility Industry Standard for Quality and Reliability is Now a Better Value Than Ever!

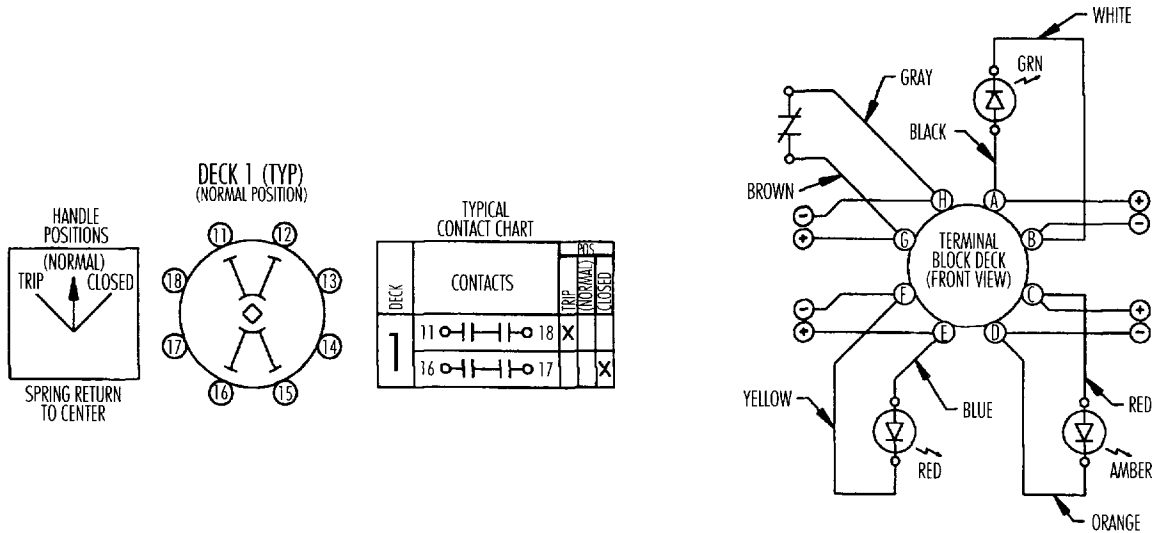
Benefits

- Saves Panel Space.
- Reduces Purchase and Installation Cost.
- Easy to Use... No Special Operator Training.
- Provides Local and Remote (SCADA) Annunciation of Breaker Trip Coil Failure.

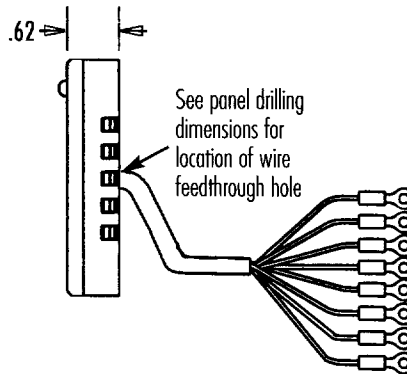
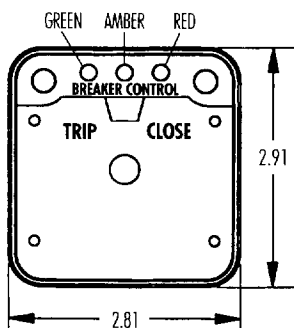
Features

- Can be used on ALL Series 24 Switches.
- Is Available with One, Two or Three Replaceable LEDs.
- Flexible Circuitry lets LEDs be Wired to Indicate Any Desired Event.
- Is Available With or Without a Mechanical Target.
- DC Unit Covers IEEE 48V/125V Ranges (38 to 140VDC).
- AC Unit Available.
- Saves Panel Space by Fitting up to 3 LEDs into the Standard Series 24 Nameplate Footprint.
- Allows Monitoring of Breaker Trip Coil with Local (Center LED) and SCADA Annunciation.
- Model Available to Simultaneously Monitor Two Independent Isolated Trip Coils.
- Compact Design, also Available as a Retrofit Kit to Upgrade Any Existing Series 24 Application.
- Uses Large LEDs that:
 - Are Brighter than the Typical Incandescent Bulb.
 - Have an 11 Year Life (Typical).
 - Are Socket Mounted for Design Flexibility and Easy Front of Panel Field Replacement.
 - Are More Rugged than Incandescent Bulbs.
 - Are Available in Red, Green, Amber, Blue and White.
 - Each LED Draws Less than 10mA when Lit.





Retrofit Kit for Existing/Installed Series 24 Products



Retrofit Kit Includes:

- Nameplate
- Installed LEDs
- Handle (shorter than standard)
- Mounting Screws (longer than standard to accommodate nameplate)
- 18" Lead Lengths

Part Number 658-44-K

(Contact factory for optional number and colors of LEDs)

Ordering Information

Part Numbers for the Series 24 Switches with Lighted Target Nameplate are fairly simple. Find the part number of the product you wish to order in the Electroswitch catalog, then simply add a two letter code after the second digit in its part number. The first letter of the code will always be "P" indicating a Lighted Target Nameplate. The second letter will change depending on the options as follows.

- A = Single LED, Amber, 48/125VDC
- B = Two LEDs, Green/Red, 48/125VDC
- C = Three LEDs, Green/Amber/Red, 48/125VDC
- D = Three LEDs, Green/Red/Red, 48/125VDC (Dual Trip Coil Monitor)
- E = Single LED, Amber, 120VAC
- F = Two LEDs, Green/Red, 120VAC
- G = Three LEDs, Green/Amber/Red, 120VAC

Consult factory for 240VAC and Non-target Models.

Example One:

A Series 24 Breaker Control Switch with circuit number 38 and a pistol grip handle is part number **2438D**. The same Breaker Control Switch with a Lighted Target Nameplate, three LEDs, and 120VAC LED voltage would become part number **24PG38D**.

Example Two:

A Series 24 Control Switch Relay with standard circuit number 57, 48VDC relay operating voltage, and control circuit "C" is part number **8857CC**. The same Control Switch Relay with a Lighted Target Nameplate, Three LEDs, and 48/125VDC LED voltage would become part number **88PC57CC**.