

'Automation That Keeps A Handle On System Protection And Control'

The Series 31 Serial Tagging Relay (STR) with Tag Nameplate and Certified DNP 3.00 expands the functionality of the field proven remotely operated Series 31 Latching Switch Relay.

An addressable network device, the STR provides Sequence of Events (SOE) Reporting, Battery Monitoring, and Self-Diagnostic Reporting, while maintaining traditional local control operability.

Additional Features

- Construction and Contacting Based on the Field Proven LSR Device
- Serial Bus
- Manual Operation
- Caution Hot Line Tag Applied
- Programmable Dwell Time

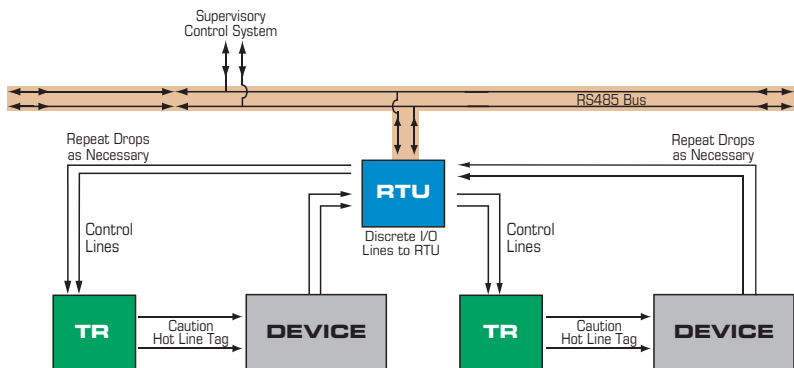
Cost-Saving Benefits

- Free up RTU Points
- Reduce Point to Point Wiring
- Simplified Testing for Easier Commissioning
- Minimize Training
- Normal / Tagged Control Switch
- Precise Sequence of Events Log with IRIG-B Input

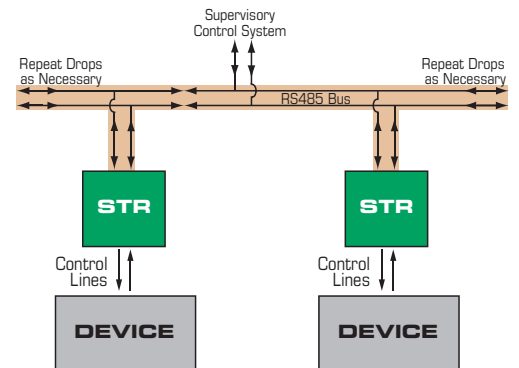


Note: Other tag colors available. Consult factory.

Traditional TR Installation



New Simplified STR Installation



The STR installation provides cost savings associated with wiring (wiring errors), testing, and commissioning.

Additional Serial Control Devices from Electroswitch



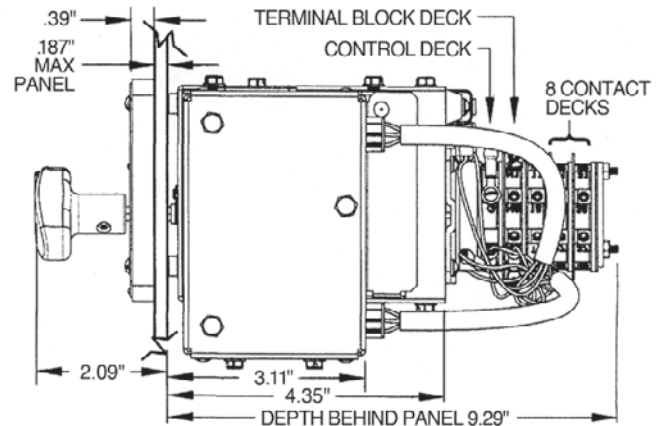
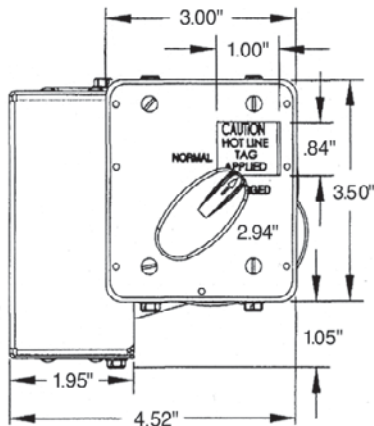
Series 24
SLOR Serial
Lock-Out Relay



Series 24
SCSR Serial
Control Switch
Relay



Series 24
SLSR Serial
Latching Switch
Relay



Specifications

Electrical

Continuous Ratings:	15A-600V
UL Interrupt Ratings:	10A-120VAC, 5A-240VAC, 3A-600VAC, 5A-30VDC, 1A-125VDC
Overload Current (50 Ops):	60A-125VAC Resistive
Making Ability for CB Coils:	45A-125VDC
Contact Resistance:	.01 Ohms

Electronic

Baud Rate:	9600 Std. 1200, 4800, 19200
Selectable	
Transient Protection:	Meets IEEE C37.90.1 and IEC 61000-4-4
Signal Hold Time:	1 Sec. Standard, 1-3 Seconds Serially Selectable

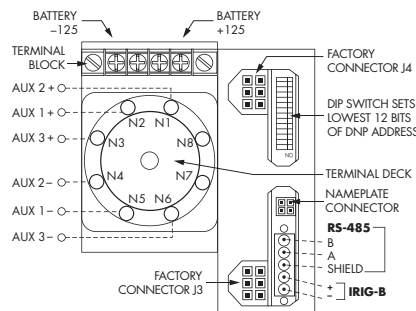
Mechanical

Sections:	1 to 8
Poles:	1 to 32
Contacts:	2 N/O, 2 N/C per Deck 45° Positive Detent Indexing
Mounting:	4-Hole Panel Mounting, 3/16" Max. Standard-Others Available
Panel Thickness:	
Rotor Contacts:	Silver Plated Phosphor-Bronze, Double Grip
Stationary Contacts:	Silver Plated Copper, with Integral Screw-Type Terminals
Construction:	Contacts Enclosed in Molded-Phenolic Disks

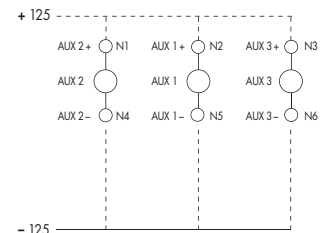
Operational and Burden Voltage Data

Coil	Rated Voltage	Voltage Range	Coil Circuit DC Ohms @ 25° C	Burden (Amps) at Rated Voltage
C	48VDC	38-56VDC	4.83	9.7
D	125VDC	100-140VDC	30.49	4.1

Installation Connections (Rear View)



Typical System Connections



Use of Inputs

DNP POINTS

- POSITION 1 (Normal) SETS Object 1 Point 1
- POSITION 2 (Tagged) SETS Object 1 Point 2
- AUXILIARY 1, SETS DNP Object 1 Point 3
- AUXILIARY 2, SETS DNP Object 1 Point 4
- AUXILIARY 3, SETS DNP Object 1 Point 5

The inputs are polarity sensitive. Reverse polarity causes no damage, but input will not be sensed.

Consult Technical Bulletin ES-SLSR-4 for further information on DNP3 usage, including system battery voltage measurement, time stamping of events, and sensing of switch position.



Note: All features and configurations currently available on the LSR are available on the STR Serial Tagging Relay.

Required Ordering Information

- Protocol: DNP 3.00 Std.
- Baud Rate: 9600 Std.
- Handle: Oval Grip Std.
- Voltage: 125VDC or 48VDC
- Engraving
- Contact Configuration