



ELECTROSWITCH
 UNIT OF ELECTRO SWITCH CORP.
 WEYMOUTH MASSACHUSETTS 02188
 TEL:(781)335-5200 FAX:(781)335-4253

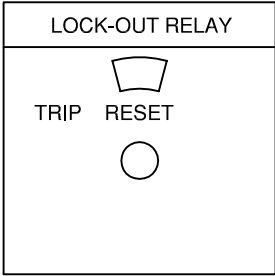
**SERIES 24 LOR/SR
 INSTANT SELF-RESET
 LOCK-OUT RELAY**

CATALOG NO. _____
 ENGRAVING CODE: **17C-2L22**

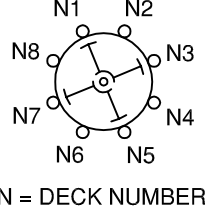
CONTACT DIAGRAM

DECK	CONTACTS	POSITION	
		TRIP	RESET
1	11 13		X
	12 18	X	
	15 17		X
	14 16	X	

NAMEPLATE ENGRAVING



CONTACT DECK LAYOUT



N = DECK NUMBER

**TRIP COIL
 NOMINAL VOLTAGE**

- A - 24 VDC
- B - 24 VDC
- C - 48 VDC
- D - 125 VDC
- E - 125 VDC
- F - 250 VDC
- G - 125 VDC
- H - 250 VDC
- K - 125 VDC

DEPTH BEHIND PANEL: _____
 PANEL THICKNESS: _____

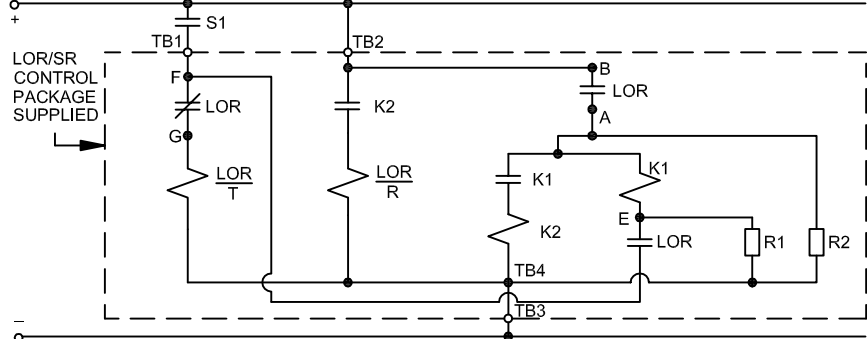
**RESET COIL
 NOMINAL VOLTAGE**

- D - 125 VDC
- F - 250 VDC

OTHER: _____

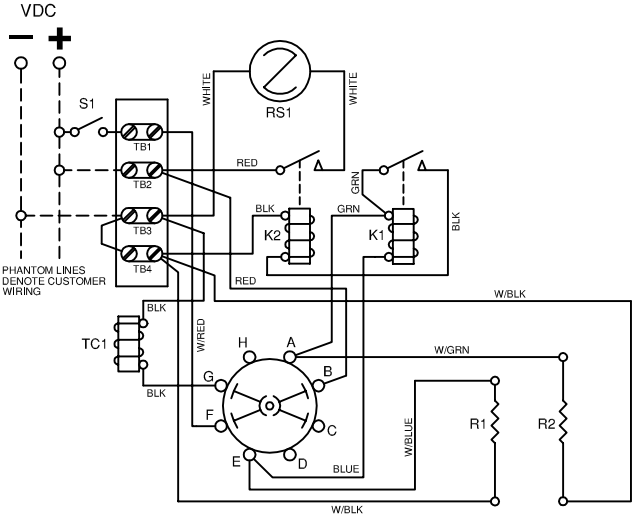
CONTROL CIRCUIT SCHEMATIC - LOR/SR

SHOWN IN RESET POSITION



WIRING DIAGRAM - LOR/SR

SHOWN IN RESET POSITION



CONTROL DECK	CONTACTS	POSITION	
		TRIP	RESET
	F G		X
	A B	X	
	F E	X	

DOCUMENT CONTROL
 QUALITY ASSURANCE -
 ANSI/ASME NQA-1-1986
 QUALIFICATION - ESC-STD-1000
 DRAWING MASTER
 LOR/SR

MADE BY:	DATE:	COMPANY:	DWG NO.	REV
APPROVED BY:	DATE:		SHEET OF	