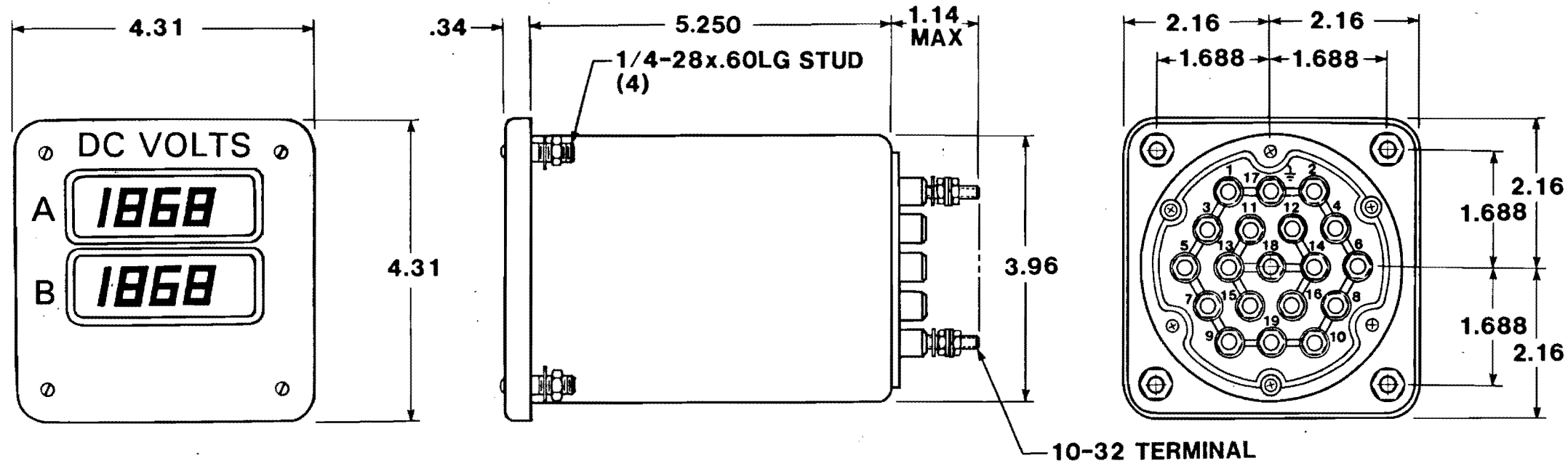
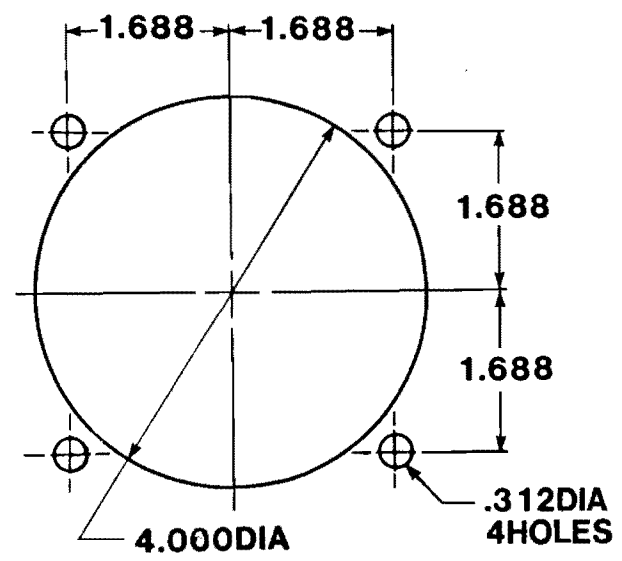
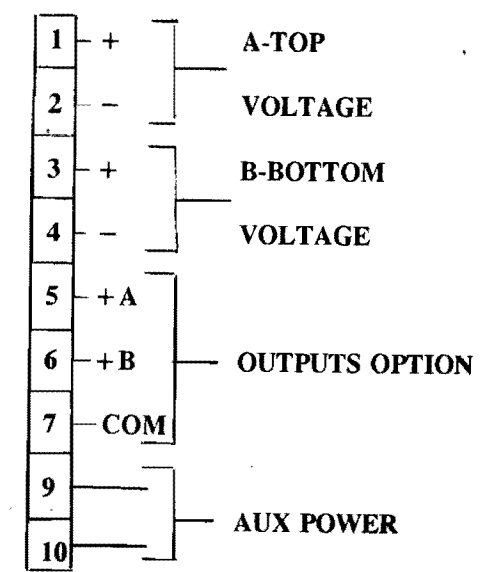


REVISIONS				
ZONE	LTR	DESCRIPTION	DATE	APPROVED



13. CONNECTIONS:



PANEL CUTOUT

SPECIFICATIONS

- INPUTS:** 0 to 200V (2 each), (300V continuous overload).
- OUTPUTS:** 0 to 1mA DC (2 each) into 0 to 10K.
- ISOLATION:** 1200VAC/DC between inputs, common output, Aux. Power, case.
- BURDEN:** 1mA max (each input).
- AUXILIARY POWER:** 120V ±10% @55-65Hz, or 125VDC ±10%, 10VA.
- INDICATION:** 0 to 199.9.
- DISPLAY:** .6" LED, 3-½ digits, 7-bar with decimal points.
- ACCURACY:** ±.2% of full range.
- VOLTAGE OPTIONS:** Full scale from 1 to 1000VDC. P/N is 25-330*-V, where V is the full scale voltage. (ie.: 25-330*-1000V).
- OUTPUT OPTIONS:**
 - 25-330B: Has no outputs. Terminals 7 to 10 are omitted.
 - 25-330-I420: Has 4-20mA outputs for 0 to V volts inputs. (Load 0 to 500Ω)
 - 25-330-I128: Has 12 ±8mA outputs for 0 ±V volts inputs. (Load 0 to 500Ω)
 - 25-330-J3.0: Has RS 485 output (DNP3.0/MODBUS format). 0 ±2000 counts output is on 5+ and 6-. Terminal 7 is omitted.
- AUX. POWER OPTION:**
 - 25-330-24 has 24V ±20% AC/DC auxiliary power.
 - 25-330-48 has 48V ±20% AC/DC auxiliary power.
 - 25-330-250 has 250V ±20% AC/DC auxiliary power.
- COMPLETE PART NUMBER:** (Unused options are omitted). Examples:
 - 25-330-300V-I420-250.
 - 25-330-I420.

210-192		K2		Arga Controls Pasadena, California 91105	
DUAL DC VOLTMETER/TRANSDUCER DUAL DISPLAY - ISOLATED INPUTS				SIZE B MFG. CODE IDENT. NO. 50290 25-330	
SCALE		SHEET		1 of 1	