

SPECIFICATIONS:

1. RANGE: PER P/N SUPPLIED.

- 25-126A - 20 TO 99.99 Hz.
- 25-126B - 0 TO 999.9 Hz.
- 25-126C - 0 TO 9999 Hz.
- 25-126D - 0 TO 99.99 KHZ.

2. INPUT: 1 TO 450 V, P-P (1-140 V RMS).

3. INDICATIONS: .6 HIGH RED LED, DIGITS(4) + DECIMAL POINT.

4. ACCURACY: ± 1 LSD.

5. AUX. POWER: 120 VAC/ 125 VDC ±10%, 4 VA.

6. CAPTION: HERTZ, KHZ, RPM.

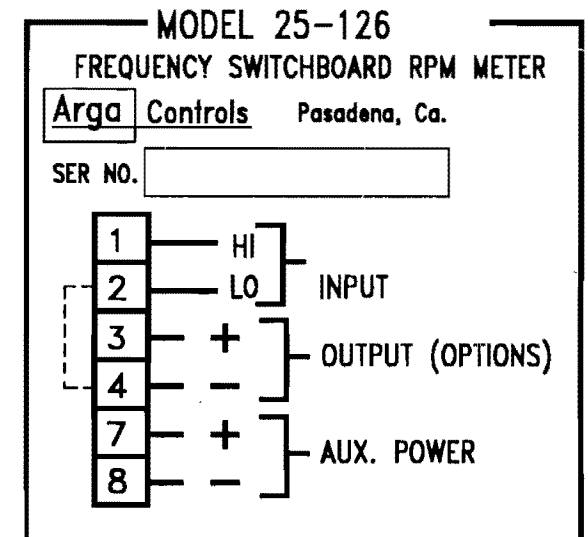
7. OPTIONS:

- 25-126*-N-I01: OTHER HZ INPUTS (N=NUMBER OF PULSES PER REVOLUTION).

8. OUTPUT OPTIONS:

- 25-126*-I01: 0 TO 1mADC INTO 0 TO 10K
- 25-126*-I420: 4 TO 20mADC INTO 0 TO 500 OHMS

7. CONNECTIONS:



Arga Controls

Pasadena, California 91105

DIGITAL FREQUENCY SWITCHBOARD
RPM METER

SIZE A	FSCM NO. 50290	DWG NO. 25-126-*	REV A
-----------	-------------------	---------------------	----------